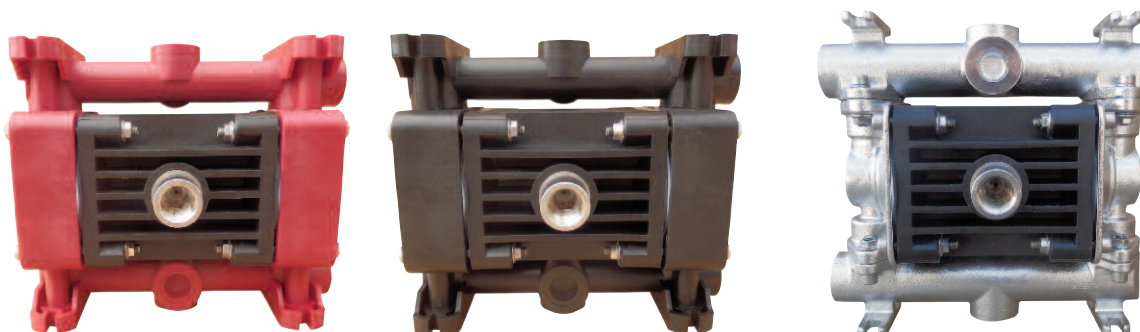


## Ruby 010

Construction materials: **PP - PVDF - PP+CF - AISI316**

New pump line with a brand new designing that offers reinforced pumping potentials. The updated designing provides even bigger performance provided with economy.



Standard: II 3G Ex h IIB T4 Gc - II 3D Ex h IIB T135C Dc  
 CONDUCT II 2G Ex IIB T4 Gc - II 2D Ex IIB T135C Dc  
 Baseefa15ATEX13DR/RN2




## Benefits

- Optimal performance
- Economical air consumption, ecological designing
- High efficiency for pressure/capacity
- Oil free operation
- No freezing
- New air valve designing, fully controlled air passing
- Easy disassembling and re-assembling
- Potential to be submersible (on request)
- Possibility to be used in dirty environments due to their closed designing
- Easy manifold reverse
- Automatic suction
- Twin manifold option (two suction and two delivery)
- Excellent performance and value for money
- Ideal for abrasive, viscous, and shear sensitive media

## Ruby 010 composition codes

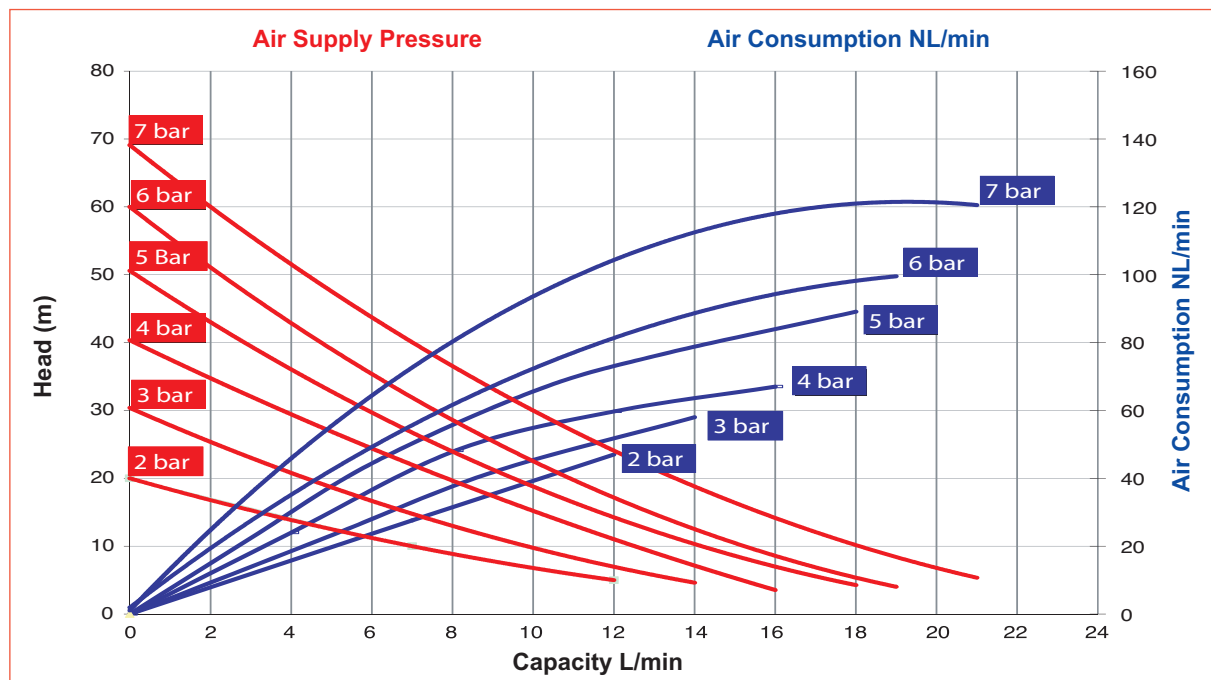
Model	Pump Body	Center block	Diaphragms	Ball Seats	Valve Balls	O-rings
Ruby 010	P: PP PC: PP+CF V: PVDF S: AISI316	P: PP PC: PP+CF	NT: TFM+Back up (NBR)	P: PP V: PVDF S: AISI316	T: PTFE S: AISI316	F: VITON E: EPDM T: PTFE

## Technical data

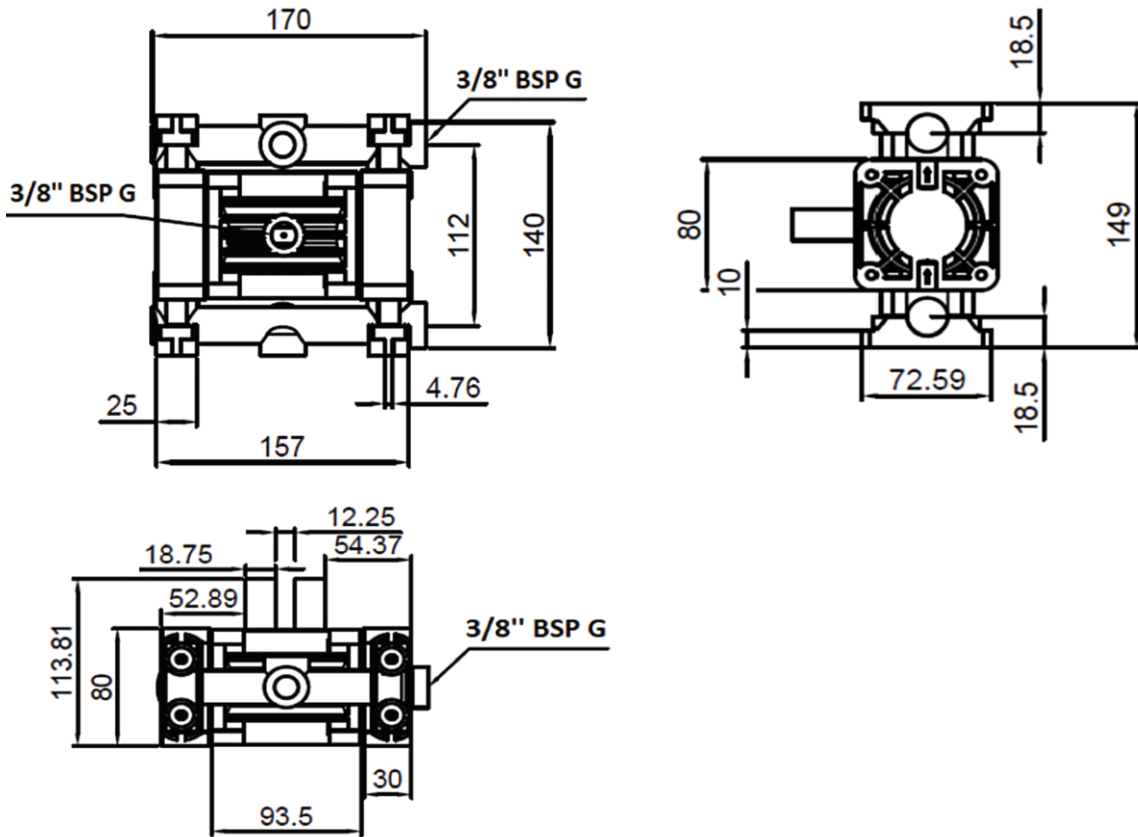
ATEX Certificate	 STANDARD: II 3G Ex h IIB T4 Gc – II 3D Ex h IIIB T135C Dc CONDUCT: I 2G Ex h IIB T4 Gb – II 2D Ex h IIIB T135C Db
Construction Materials	PP, PP+CF, PVDF+CF, AISI 316
Diaphragms	NT: TFM+Back up (NBR)
Intake / Delivery connections	3/8 "
Air Connection	3/8 "
*Max. self-priming capacity	4 m
*Max. Flow rate	21 L/min
Max. Head TEX certification	70 m
Max. Air supply pressure	7 Bar
Max. Solids	0.5 mm
Max. Temperature	PP, PP+CF: 60°C, PVDF: 95°C, AISI316 95°C
Weight PP, PP+CF	1.2 Kg
Weight PVDF	1.9 Kg
Weight AISI316	3 Kg

\* The curves and performance values refer to pumps with submerged suction and a free delivery outlet with water at 20°C, and vary according to the construction material.

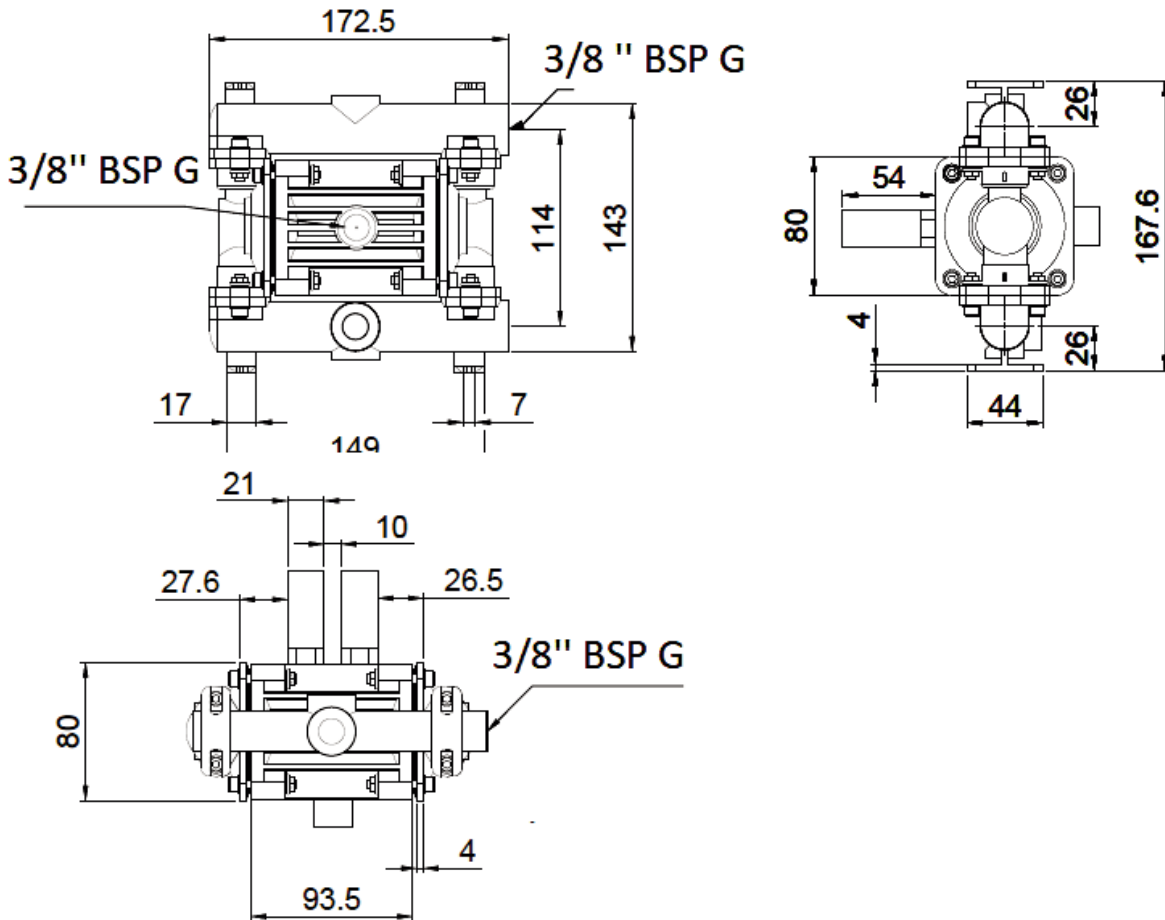
## Performance Ruby 010

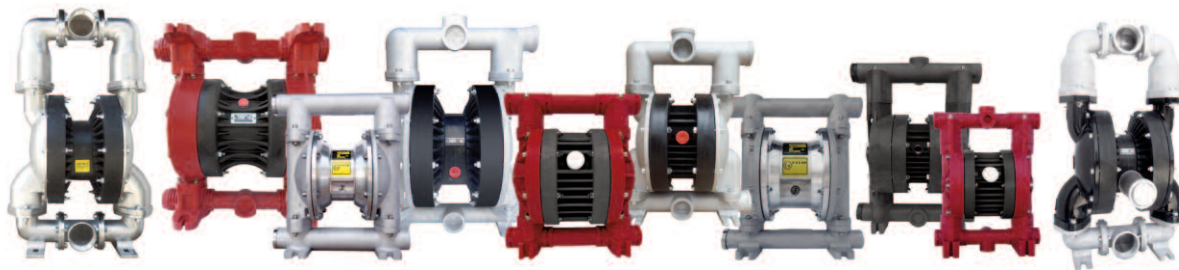


## Dimensions PP / PVDF



## Dimensions AISI316





*We Make The Difference*



**England Sales office:**

Rockleigh House, 37 Burton Road  
Ashby de la Zouch, Leicestershire  
LE65 2LF - United Kingdom (UK)  
Registered in ENGLAND & WALES

Registration number 09706219 - VAT No.GB220393343

Tel +44 1213 680 324, +44 1213 680472

email:sales@alphadynamicpumps.co.uk

www.alphadynamicpumps.co.uk

**Hellas Production Facilities Unit 1**

3 Eleftherias Str Industrial Park of Kifisia  
14564 - Kifisia - Hellas  
VAT No. EL 999695309

Tel: +30 215 215 9580, +30 215 215 9520

Fax +30 211 268 68 37

email: info@alphadynamic.eu

www.alphadynamic.eu

**Hellas Production Facilities Unit 2**

30 Seneka str Industrial Park of Kifisia  
14564 - Kifisia - Greece

Tel +30 215 215 9152

email: sales@rubypump.com