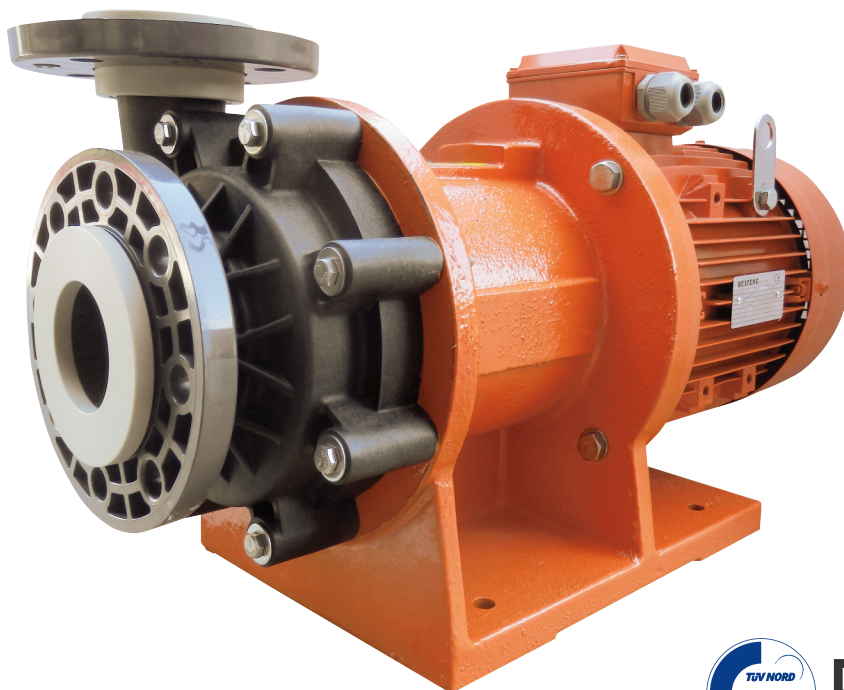


## Features

Mag drive centrifugal pumps series ADM 80 PP/PVDF are made of thermoplastic materials (Polypropylene and PVDF) and are suitable for high corrosive liquids.

Thanks to the innovative mag drive system, pumps model ADM 80 PP/PVDF reduce the risks of losses and the maintenance costs. The transmission of the motion occurs through magnetic joints without using mechanical seals. This guarantees the maximum safety and efficiency.

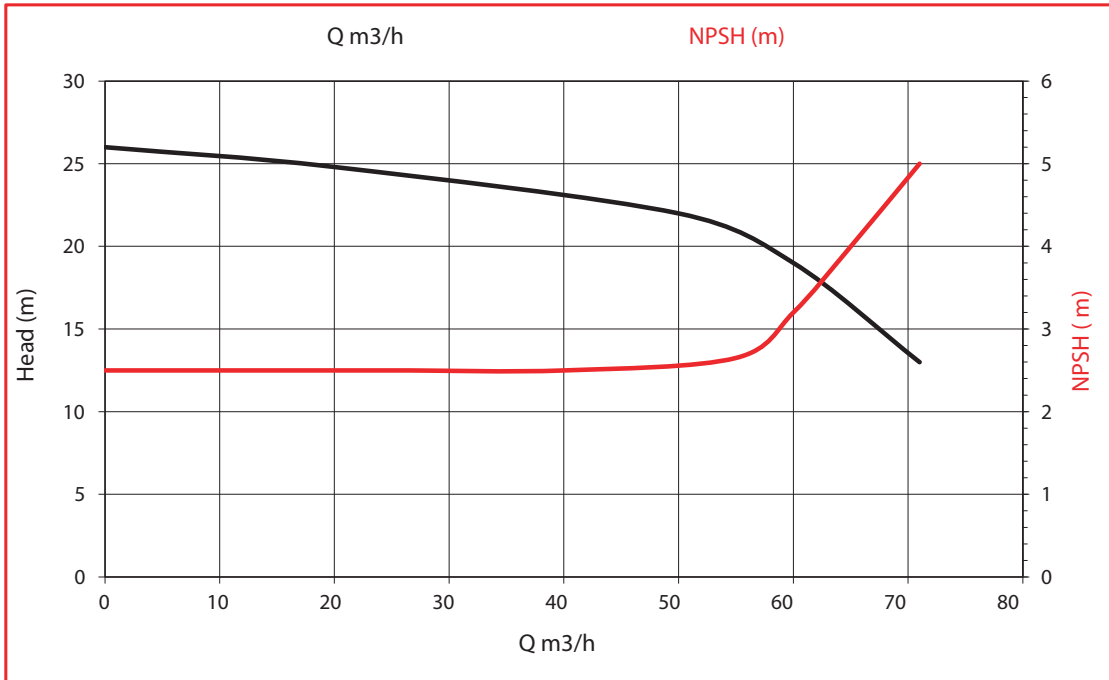


## Technical data

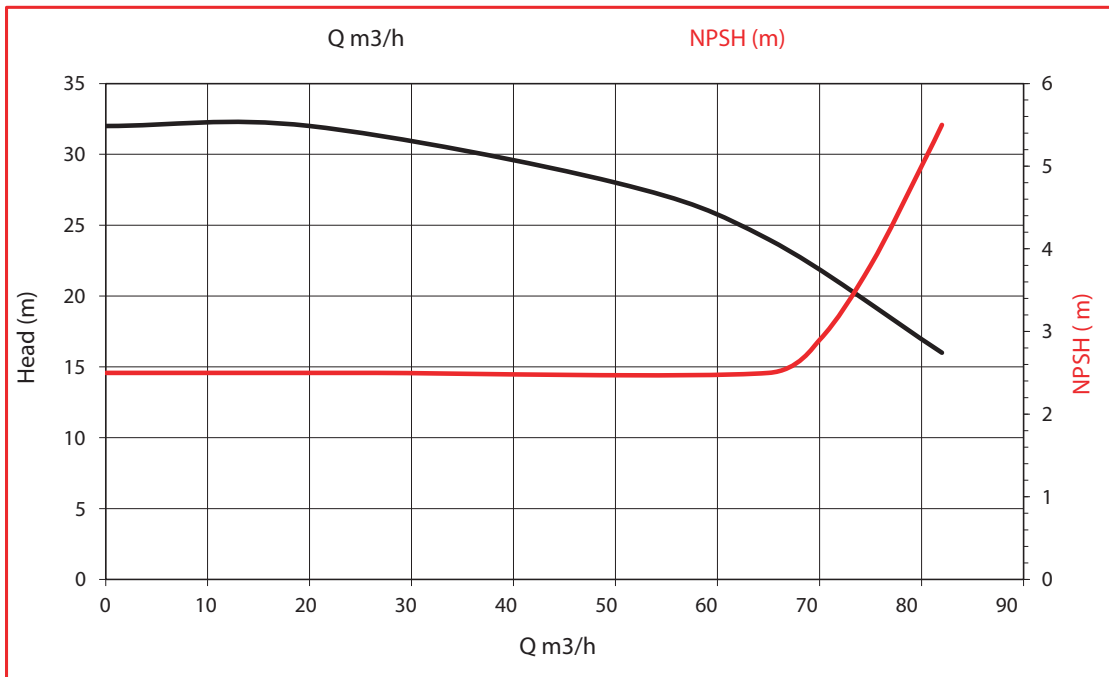
Construction materials	PP - PVDF
Max Capacity	82 m <sup>3</sup> /h
Max Head	32 m
Max Temperature	PP 60°C , PVDF 90°C
Max viscosity	200 cSt
Intake / Delivery connections	DN 80 X DN 65 Flange PN10
Pump weight without motor	PP 42 Kg - PVDF 44 Kg
Pump weight with motor 15HP	PP 122 Kg - PVDF 124 kg
Pump weight with motor 20HP	PP 133 Kg - PVDF 135 kg

## Performances

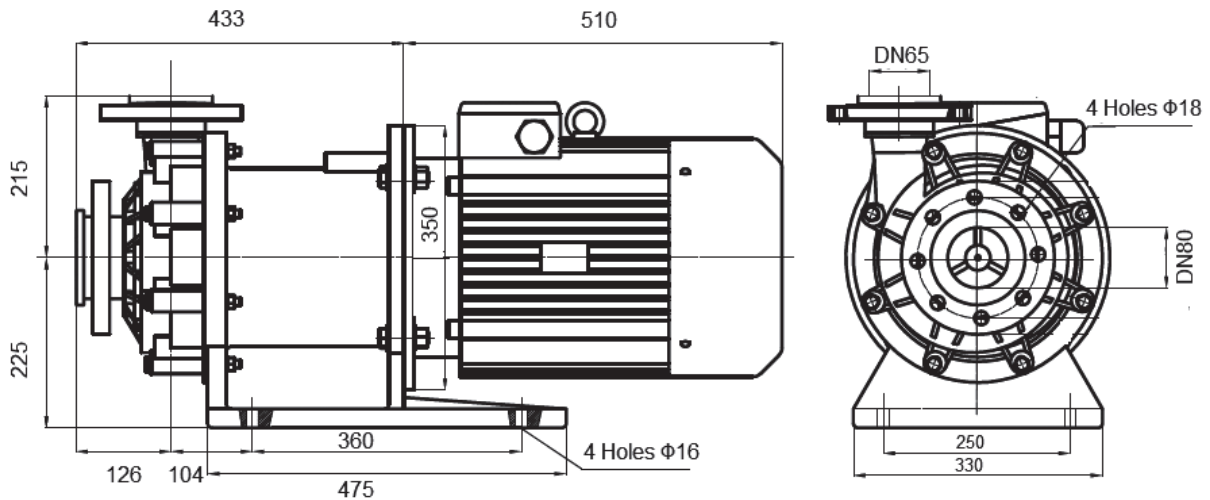
### ADM 80.1



### ADM 80.2

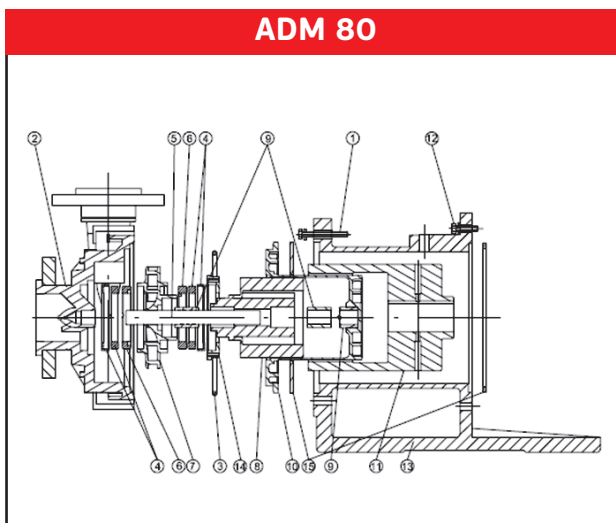


## Dimensions



Pump Type	Motor Flange B35	Kw	Rpm	Dimensions -mm-												
				A	B	C	D	E	F	G	L	N	O	P	Q	R
ADM 80.1	160	11	2800	475	433	250	360	225	330	126	510	104	215	350	DN 80	DN 65
ADM 80.2	160	15	2800	475	433	250	360	225	330	126	510	104	215	350	DN 80	DN 65

## ADM series section & spare part list



POS	PART. DESCR.	MATERIALS
1	SCREWS	AISI 304
2	PUMP CASING	PP - PVDF
3	O-RING	EPDM / VITON
4	CASING THRUST BUSH	AI203 EPDM / VITON
5	SHAFT	AI203
6	IMPELLER THRUST BEARING	PTFEC
7	IMPELLER	PP - PVDF
8	INT.MAGNET	PP / PVDF - NeFeb
9	BEARING	PTFEC
10	REAR CASING	PP / PVDF
11	EXT.MAGNET	C40 - NeFeb
12	SCREWS	AISI 304
13	BRACKET	CAST IRON / ALUMINUM
14	REAR SUPPORT	PP / PVDF
15	RING	AISI 304



*We Make The Difference*

**England Sales office:**

Rockleigh House, 37 Burton Road  
Ashby de la Zouch, Leicestershire  
LE65 2LF - United Kingdom (UK)  
Registered in ENGLAND & WALES  
Registration number 09706219 - VAT No.GB220393343  
Tel +44 1213 680 324, +44 1213 680472  
email:sales@alphadynamicpumps.co.uk  
www.alphadynamicpumps.co.uk

**Hellas Production Facilities Unit 1**

3 Eleftherias Str Industrial Park of Kifisia  
14564 - Kifisia - Hellas  
VAT No. EL 999695309  
Tel: +30 215 215 9580, +30 215 215 9520  
Fax +30 211 268 68 37  
email: info@alphadynamic.eu  
www.alphadynamic.eu

**Hellas Production Facilities Unit 2**

30 Seneka str Industrial Park of Kifisia  
14564 - Kifisia - Greece  
Tel +30 215 215 9152  
email: sales@rubypump.com