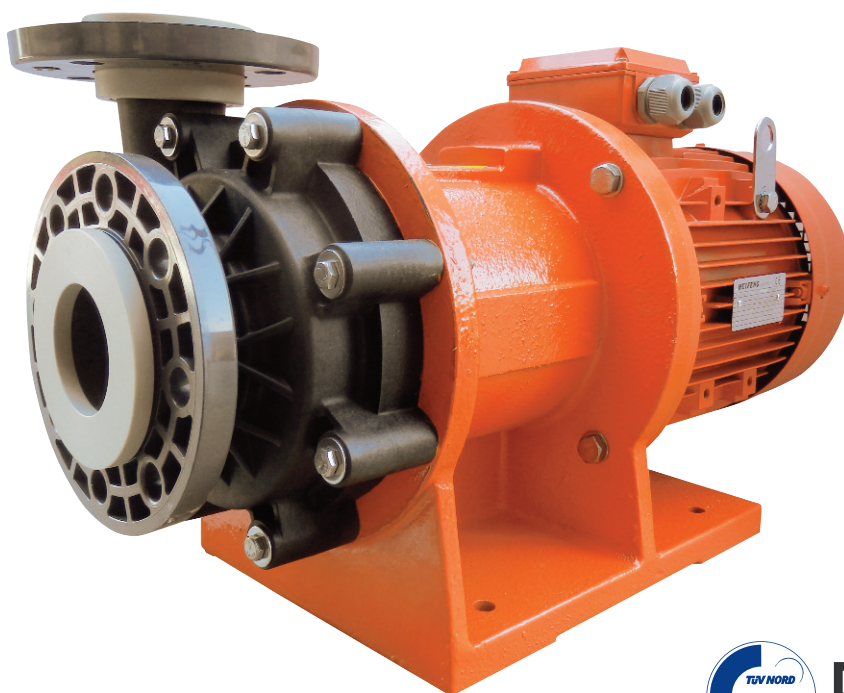


Features

Mag drive centrifugal pumps series ADM 100 PP/PVDF are made of thermoplastic materials (Polypropylene and PVDF) and are suitable for high corrosive liquids.

Thanks to the innovative mag drive system, pumps model ADM 100 PP/PVDF reduce the risks of losses and the maintenance costs. The transmission of the motion occurs through magnetic joints without using mechanical seals. This guarantees the maximum safety and efficiency.

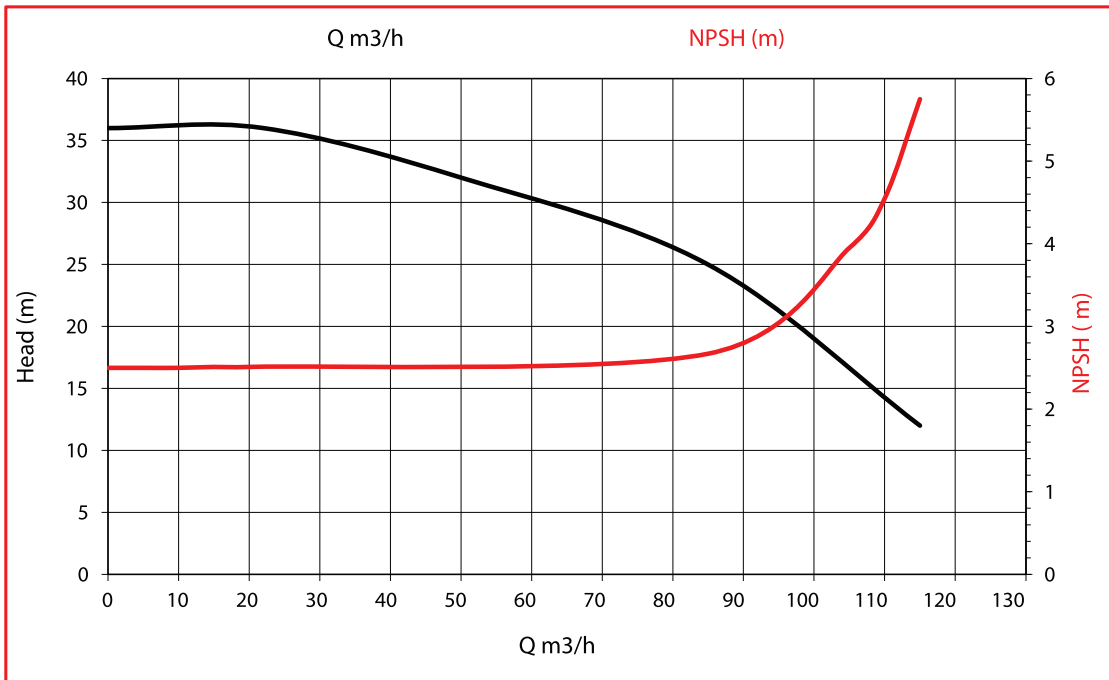


Technical data

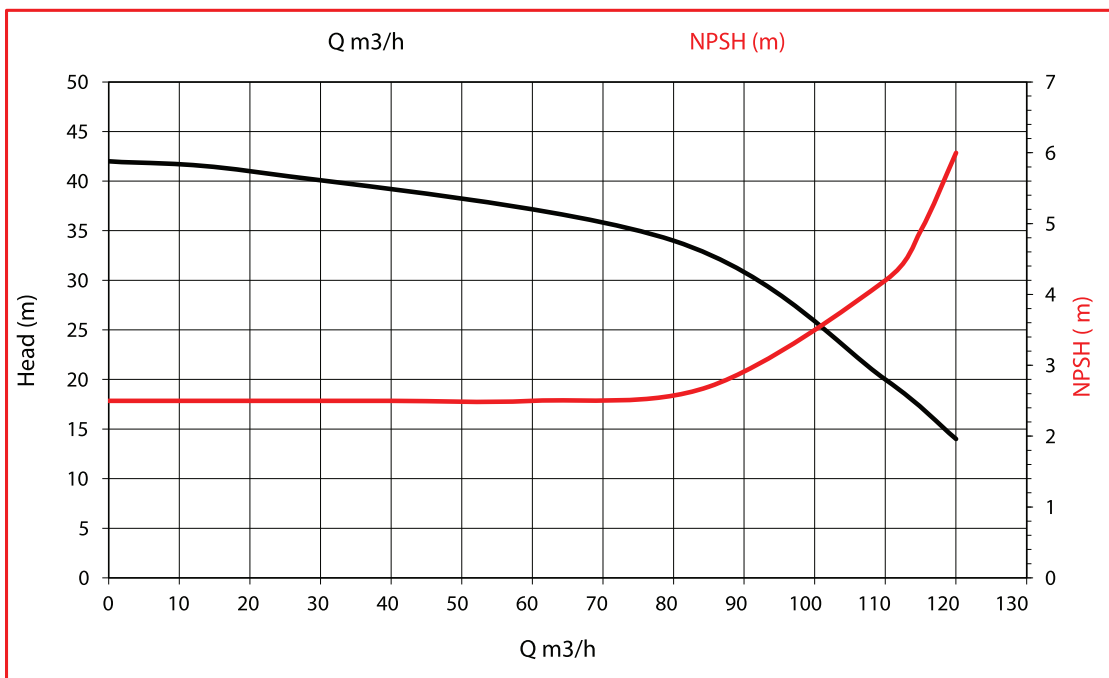
Construction Materials	PP - PVDF
Max. Capacity	130 m ³ /h
Max. Head	48 m
Max. Temperature	PP 60 oC - PVDF 90 oC
Max. Viscosity	200 cst
Intake / Delivery connections	DN 100 X DN 80 FLANGE PN10
Pump weight without motor	PP 42 Kg - PVDF 44 Kg
Pump weight with motor 20 HP	PP 133 Kg - PVDF 135 kg
Pump weight with motor 25 HP	PP 163 Kg - PVDF 165 kg
Pump weight with motor 30 HP	PP 190 Kg - PVDF 192 kg

Performances

ADM 100.1

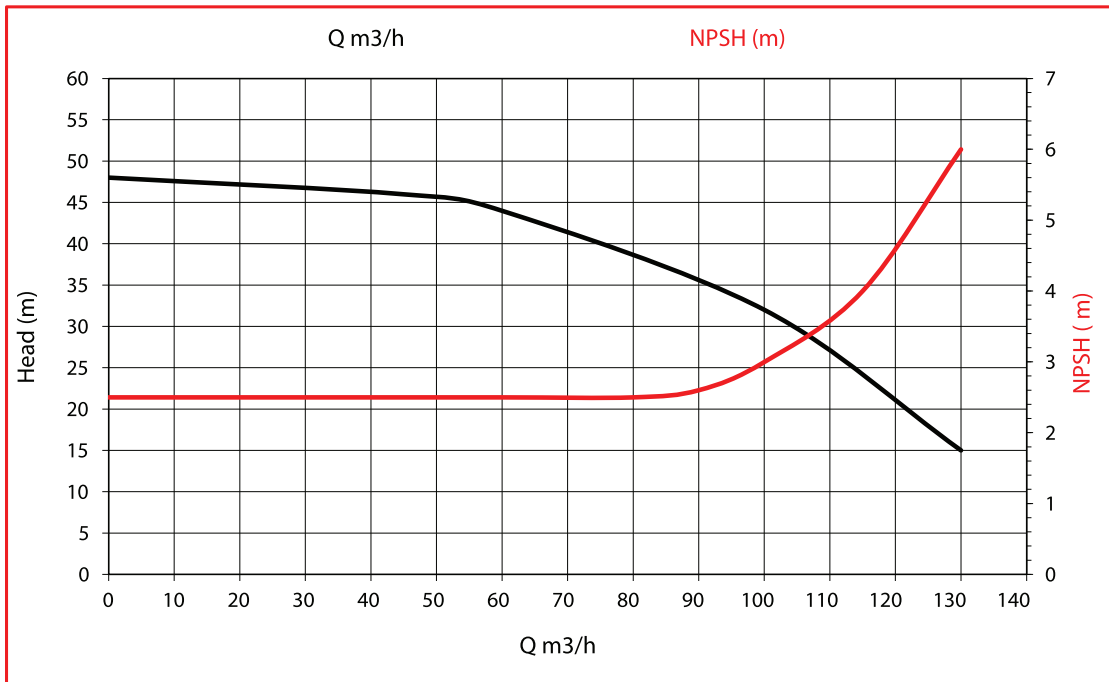


ADM 100.2

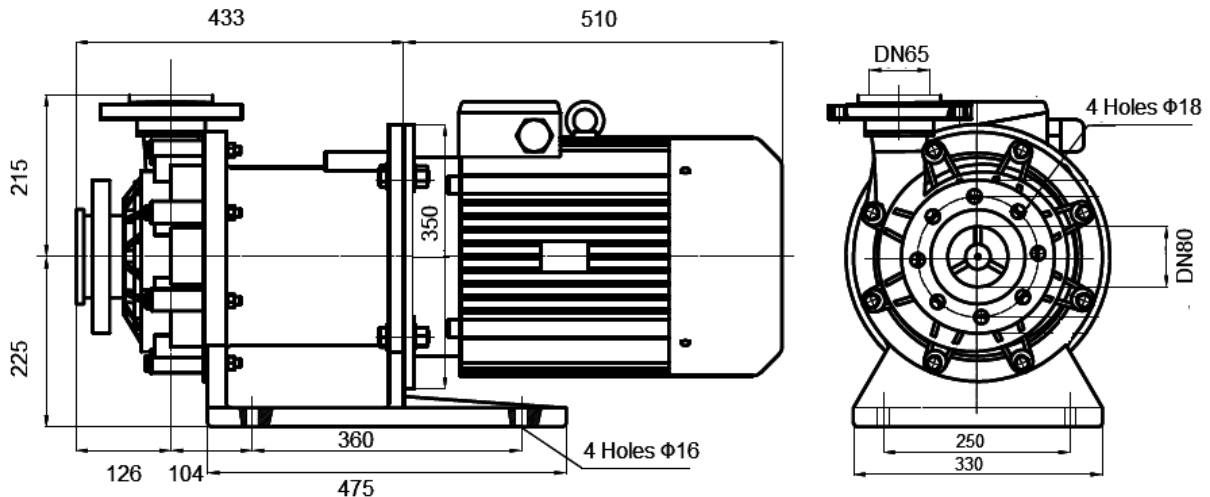


Performances

ADM 100.3

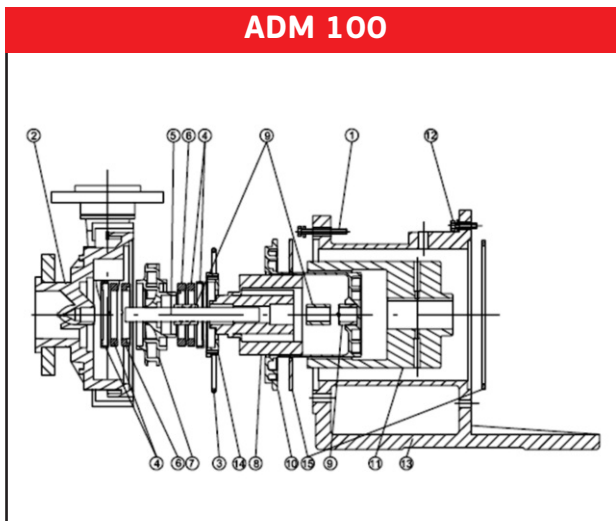


Dimensions



Pump Type	Motor Flange B35	Kw	Rpm	Dimensions -mm-												
				A	B	C	D	E	F	G	L	N	O	P	Q	R
ADM 100.1	160	15	2800	475	435	250	360	225	330	124	510	104	217	350	DN 100	DN 80
ADM 100.2	160	18.5	2800	475	433	250	360	225	330	124	554	104	217	350	DN 100	DN 80
ADM 100.3	180	22	2800	475	433	250	360	225	330	124	595	104	217	350	DN 100	DN 80

ADM series section & spare part list



POS	PART. DESCR.	MATERIALS
1	SCREWS	AISI 304
2	PUMP CASING	PP - PVDF
3	O-RING	EPDM / VITON
4	CASING THRUST BUSH	AI203 EPDM / VITON
5	SHAFT	AI203
6	IMPELLER THRUST BEARING	PTFEC
7	IMPELLER	PP - PVDF
8	INT.MAGNET	PP / PVDF - NeFeb
9	BEARING	PTFEC
10	REAR CASING	PP / PVDF
11	EXT.MAGNET	C40 - NeFeb
12	SCREWS	AISI 304
13	BRACKET	CAST IRON / ALUMINUM
14	REAR SUPPORT	PP / PVDF
15	RING	AISI 304



We Make The Difference

England Sales office:

Rockleigh House, 37 Burton Road
Ashby de la Zouch, Leicestershire
LE65 2LF - United Kingdom (UK)
Registered in ENGLAND & WALES
Registration number 09706219 - VAT No.GB220393343
Tel +44 1213 680 324, +44 1213 680472
email:sales@alphadynamicpumps.co.uk
www.alphadynamicpumps.co.uk

Hellas Production Facilities Unit 1

3 Eleftherias Str Industrial Park of Kifisia
14564 - Kifisia - Hellas
VAT No. EL 999695309
Tel: +30 215 215 9580, +30 215 215 9520
Fax +30 211 268 68 37
email: info@alphadynamic.eu
www.alphadynamic.eu

Hellas Production Facilities Unit 2

30 Seneka str Industrial Park of Kifisia
14564 - Kifisia - Greece
Tel +30 215 215 9152
email: sales@rubypump.com