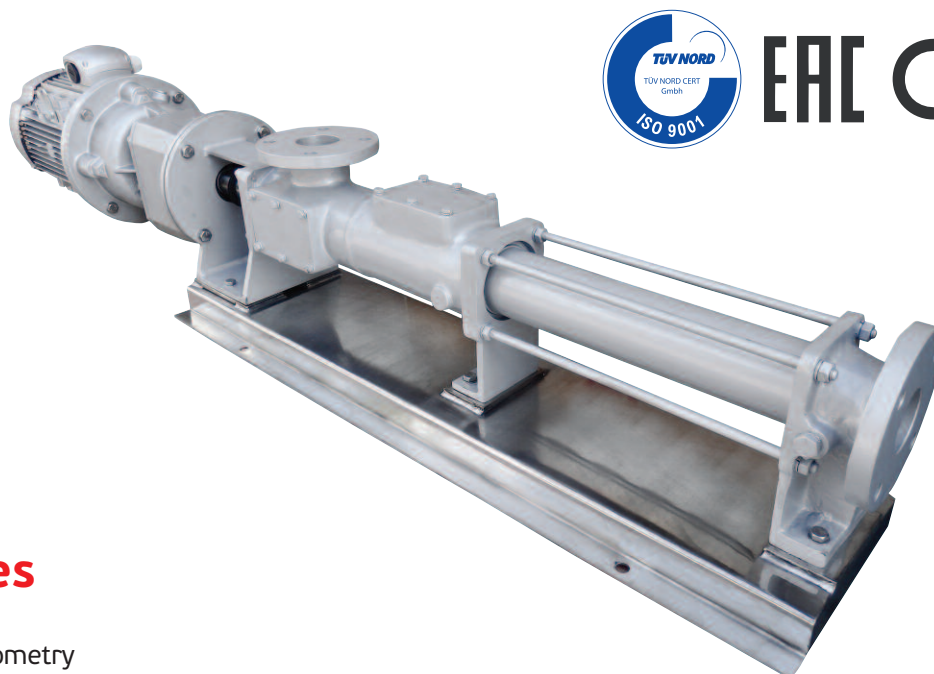


The **ATLAS SBM series** is the best solution for the industrial sector in pumping a vast range of fluids. They are synonymous with strength, reliability, performance and application flexibility.

Suitable for pumping viscous and non-viscous products, with or without solids of any nature, they are an ideal solution for those seeking a standard product with advanced technology with unbeatable cost benefits in the current single screw pumps market.



Features

- ✓ Length Geometry
- ✓ Lower Sliding Velocity
- ✓ Higher Performance compared to classic geometry
- ✓ Minor service requirements
- ✓ Stability in pressure & flow due to longer sealing lines
- ✓ Improved flow characteristics
- ✓ Reduced Vibration, Turbulence, shear rates & pulsation
- ✓ Smooth and performance
- ✓ Improved volumetric, Mechanical & overall efficiency
- ✓ Block construction minimizes overall dimensions, providing a shorter pump length.
Eliminates the need for coupling and cover protection.

Technical data

Maximum Capacity	75 m ³ /h
Maximum Pressure	12 Bar
Maximum Temperature	100 °C
Maximum Viscosity	500.000 cPs

Construction Materials

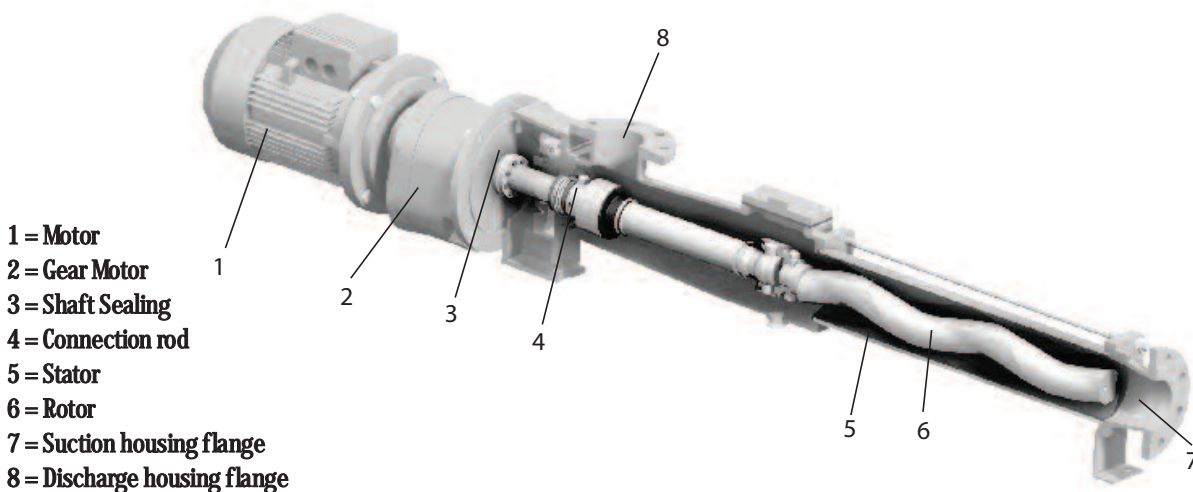
- ▶ Pump Body: Stainless steel 316
- ▶ Available Rotors: Stainless steel 316
- ▶ Available Stators: NBR, EPDM, VITON, HYPALON
- ▶ Seal: Mechanical seal SIC/SIC/
- ▶ Ports: Flange PN16

They are used for the transfer of:

- ▶ Raw, primary, secondary sludges
- ▶ Thickened sludges
- ▶ Sludges before the filter press

Other industrial applications are:

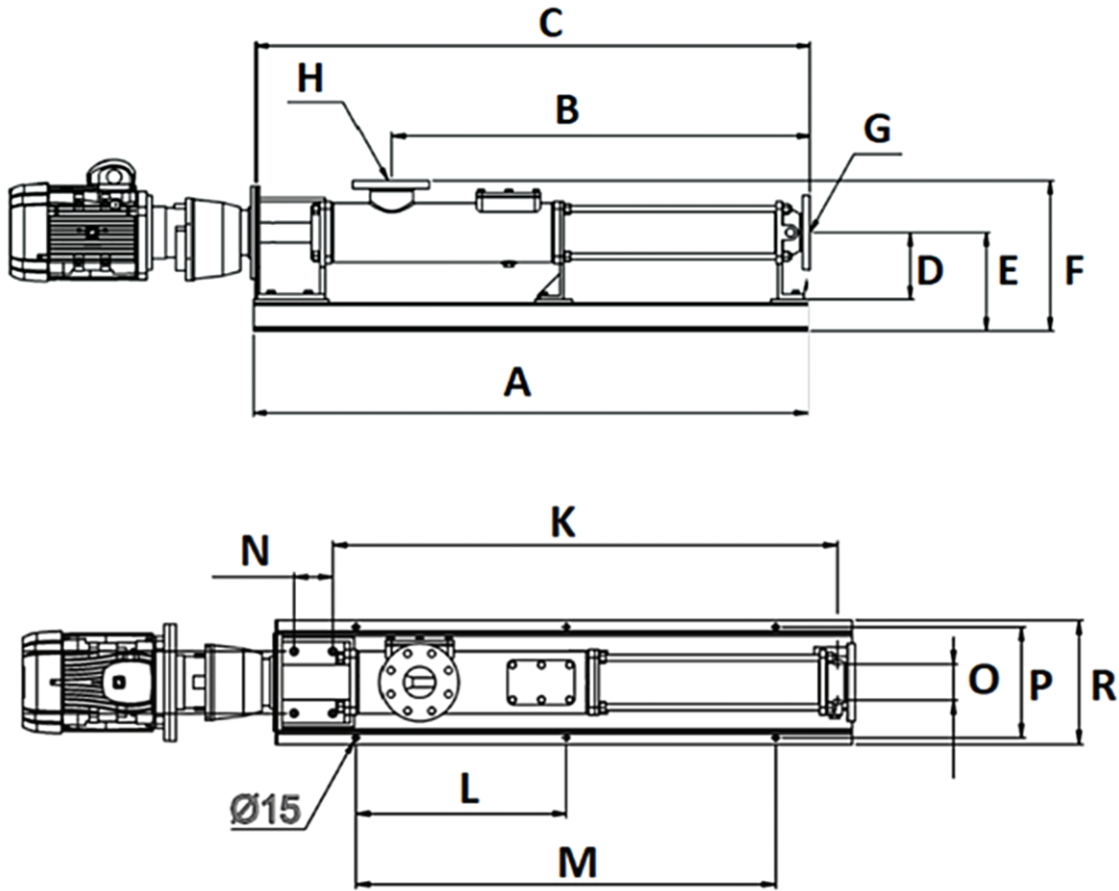
- ▶ Paper industry like starch, glue
- ▶ Building industry like colourings, cement, mortar, bentonite
- ▶ Ship building industry like waste oil, oily bilge water
- ▶ Ceramic industry as clayey sludges, lime, glaze
- ▶ Mining industry
- ▶ Petrochemistry
- ▶ Agriculture
- ▶ Refinery



Pump Models

Type	Max capacity	Max Pressure	Ports
ATLAS SBM 15	2 m3/h	4.5 Bar	FLANGE DN 25
ATLAS SBM 21	5 m3/h	6 Bar	FLANGE DN 32
ATLAS SBM 31	13 m3/h	6 Bar	FLANGE DN 50
ATLAS SBM 38	25 m3/h	6 Bar	FLANGE DN 65
ATLAS SBM 45	30 m3/h	6 Bar	FLANGE DN 65
ATLAS SBM 53	40 m3/h	6 Bar	FLANGE DN 80
ATLAS SBM 63	50 m3/h	6 Bar	FLANGE DN 100
ATLAS SBM 76	75 m3/h	6 Bar	FLANGE DN 125
ATLAS SBM 22	1 m3/h	12 Bar	FLANGE DN 40
ATLAS SBM 32	3 m3/h	12 Bar	FLANGE DN 50
ATLAS SBM 42	6 m3/h	12 Bar	FLANGE DN 65
ATLAS SBM 52	11 m3/h	12 Bar	FLANGE DN 80
ATLAS SBM 62	20 m3/h	12 Bar	FLANGE DN 100

Pump Dimensions



Pump Type	BASIC DIMENSIONS mm															
	A	B	C	D	E	F	G	H	K	L	M	N	O	P	Q	R
ATLAS SBM15	631	410	642	120	178	250	DN25	DN25	546	---	490	---	50	220	Ø15	250
ATLAS SBM 21	690	466	698	120	178	253	DN32	DN32	597	---	490	---	50	220	Ø15	250
ATLAS SBM 31	900	660	919	155	215	316	DN50	DN50	790	---	600	---	70	245	Ø15	280
ATLAS SBM 38	1158	881	1161	160	220	342	DN65	DN65	1045	---	758	---	78	280	Ø15	310
ATLAS SBM 45	1202	942	1222	160	220	342	DN65	DN65	1105	---	758	---	78	280	Ø15	310
ATLAS SBM 53	1490	1127	1492	180	265	405	DN80	DN80	1300	540	1080	100	92	285	Ø15	320
ATLAS SBM 63	1712	1355	1735	200	287	432	DN100	DN100	1538	656	1312	100	110	310	Ø19	350
ATLAS SBM 76	2070	1617	2101	225	311	508	DN125	DN125	1886	835	1670	100	130	320	Ø19	350
ATLAS SBM 22	690	466	698	120	178	253	DN40	DN40	597	---	490	---	50	220	Ø15	250
ATLAS SBM 32	900	660	919	155	215	316	DN50	DN50	790	---	600	---	70	245	Ø15	280
ATLAS SBM 42	1202	942	1222	160	220	342	DN65	DN65	1105	---	758	---	78	280	Ø15	310
ATLAS SBM 52	1490	1127	1492	180	265	405	DN80	DN80	1300	540	1080	100	92	285	Ø15	320
ATLAS SBM 62	1712	1355	1735	200	287	432	DN100	DN100	1538	656	1312	100	110	310	Ø19	350



We Make The Difference

England Sales office:

Rockleigh House, 37 Burton Road
Ashby de la Zouch , Leicestershire
LE65 2LF - United Kingdom (UK)
Registered in ENGLAND & WALES
Registration number 09706219 - VAT No.GB220393343
Tel +44 1213 680 324 , +44 1213 680472
email:sales@alphadynamicpumps.co.uk
www.alphadynamicpumps.co.uk

Hellas Production Facilities Unit 1

3 Eleftherias Str Industrial Park of Kifisia
14564 - Kifisia - Hellas
VAT No. EL 999695309
Tel: +30 215 215 9580, +30 215 215 9520
Fax +30 211 268 68 37
email: info@alphadynamic.eu
www.alphadynamic.eu

Hellas Production Facilities Unit 2

30 Seneka str Industrial Park of Kifisia
14564 - Kifisia - Greece
Tel +30 215 215 9152
email: sales@rubypump.com