

ATLAS HBM progressive cavity pumps are used to transfer products of low and high viscosity as well as products containing soft particles.

These food-grade progressive cavity pumps are also recommended for use with edible oils, wine, concentrates and beverages in general. They can also be used to transfer viscous food products.



## Features

- ✓ Length Geometry
- ✓ Lower Sliding Velocity
- ✓ Higher Performance compared to classic geometry
- ✓ Minor service requirements
- ✓ Stability in pressure & flow due to longer sealing lines
- ✓ Improved flow characteristics
- ✓ Reduced Vibration, Turbulence, shear rates & pulsation
- ✓ Smooth and performance
- ✓ Improved volumetric, Mechanical & overall efficiency
- ✓ Block construction minimizes overall dimensions, providing a shorter pump length.  
Eliminates the need for coupling and cover protection.

## Technical data

Maximum Capacity	75 m <sup>3</sup> /h
Maximum Pressure	12 Bar
Maximum Temperature	100 °C
Maximum Viscosity	500.000 cPs

### Construction Materials

- ▶ Pump Body: Stainless steel 316
- ▶ Available Rotors: Stainless steel 316
- ▶ Available Stators: NBR, EPDM, VITON, HYPALON
- ▶ Seal: Mechanical seal SIC/SIC/
- ▶ Ports: Flange PN16

The Atlas Progressive cavity pumps are widely used:



**In the oenological field**  
Stemmed grapes, wine, must, e.t.

#### In food processing

Honey, yogurt, beer, fruit pulp and juice, glyucose, brine, syrops, melted butter, liquid sugar, eggs in liquid form, tomato pulp e.t.c

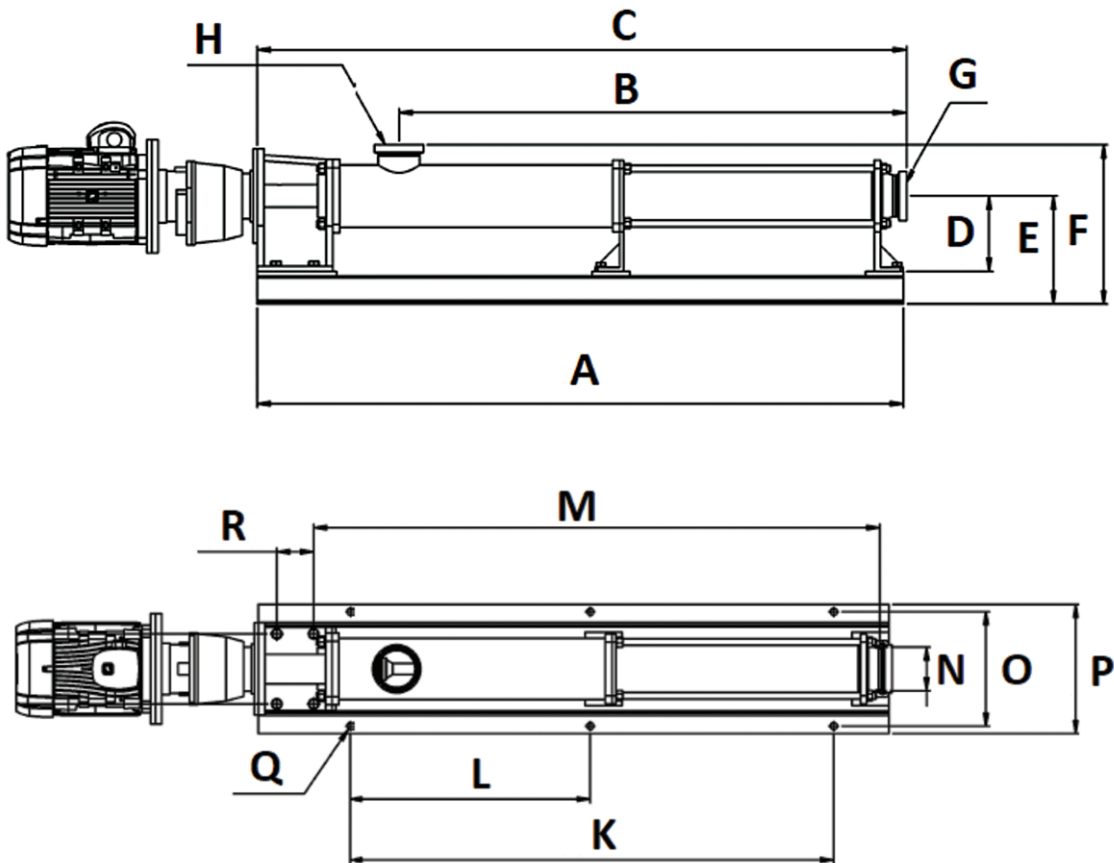


**In cosmetics industry and in the production of pharmaceutical products**  
Cleaning lotion, cream, shampoo, liquid soap, e.t.c

### Pump Models

Type	Max capacity	Max Pressure	Ports
ATLAS HBM 15	2 m3/h	4.5 Bar	DN 32 DIN 11851
ATLAS HBM 21	5 m3/h	6 Bar	DN 40 DIN 11851
ATLAS HBM 31	13 m3/h	6 Bar	DN 50 DIN 11851
ATLAS HBM 38	25 m3/h	6 Bar	DN 65 DIN 11851
ATLAS HBM 45	30 m3/h	6 Bar	DN 80 DIN 11851
ATLAS HBM 53	40 m3/h	6 Bar	DN 100 DIN 11851
ATLAS HBM 63	50 m3/h	6 Bar	DN 100 DIN 11851
ATLAS HBM 22	1 m3/h	12 Bar	DN 40 DIN 11851
ATLAS HBM 32	3 m3/h	12 Bar	DN 50 DIN 11851
ATLAS HBM 42	6 m3/h	12 Bar	DN 65 DIN 11851
ATLAS HBM 52	11 m3/h	12 Bar	DN 100 DIN 11851
ATLAS HBM 62	20 m3/h	12 Bar	DN 100 DIN 11851

### Pump Dimensions



Pump Type	BASIC DIMENSIONS mm															
	A	B	C	D	E	F	G	H	K	L	M	N	O	P	Q	R
ATLAS HBM 15	644	402	634	128	176	244	DN 32 DIN 11851	DN 32 DIN 11851	490	---	544	50	220	250	Φ15	--
ATLAS HBM 21	690	446	678	120	178	247	DN 40 DIN 11851	DN 40 DIN 11851	490	---	590	50	220	250	Φ15	--
ATLAS HBM 31	900	647	910	160	220	317	DN 50 DIN 11851	DN 50 DIN 11851	600	---	790	70	245	280	Φ15	--
ATLAS HBM 38	1157	872	1152	160	220	333	DN 65 DIN 11851	DN 65 DIN 11851	758	---	1032	78	280	310	Φ15	--
ATLAS HBM 45	1202	933	1213	160	220	333	DN 80 DIN 11851	DN 80 DIN 11851	758	---	1096	78	280	310	Φ15	--
ATLAS HBM 53	1490	1118	1483	179	264	397	DN100 DIN 11851	DN100 DIN 11851	1080	540	1300	92	285	320	Φ15	100
ATLAS HBM 63	1712	1340	1720	200	287	423	DN100 DIN 11851	DN100 DIN 11851	1312	656	1537	118	310	350	Φ19	100
ATLAS HBM 22	690	446	678	120	178	247	DN 40 DIN 11851	DN 40 DIN 11851	490	---	590	50	220	250	Φ15	--
ATLAS HBM 32	900	647	910	160	220	317	DN 50 DIN 11851	DN 50 DIN 11851	600	---	790	70	245	280	Φ15	--
ATLAS HBM 42	1157	872	1152	160	220	333	DN 65 DIN 11851	DN 65 DIN 11851	758	---	1032	78	280	310	Φ15	--
ATLAS HBM 52	1490	1118	1483	179	264	397	DN100 DIN 11851	DN100 DIN 11851	1080	540	1300	92	285	320	Φ15	100
ATLAS HBM 62	1712	1340	1720	200	287	423	DN100 DIN 11851	DN100 DIN 11851	1312	656	1537	118	310	350	Φ19	100



*We Make The Difference*

#### **England Sales office:**

Rockleigh House, 37 Burton Road  
Ashby de la Zouch , Leicestershire  
LE65 2LF - United Kingdom (UK)  
Registered in ENGLAND & WALES  
Registration number 09706219 - VAT No.GB220393343  
Tel +44 1213 680 324 , +44 1213 680472  
email:sales@alphadynamicpumps.co.uk  
www.alphadynamicpumps.co.uk

#### **Hellas Production Facilities Unit 1**

3 Eleftherias Str Industrial Park of Kifisia  
14564 - Kifisia - Hellas  
VAT No. EL 999695309  
Tel: +30 215 215 9580, +30 215 215 9520  
Fax +30 211 268 68 37  
email: info@alphadynamic.eu  
www.alphadynamic.eu

#### **Hellas Production Facilities Unit 2**

30 Seneka str Industrial Park of Kifisia  
14564 - Kifisia - Greece  
Tel +30 215 215 9152  
email: sales@rubypump.com