

The ADV 110 vertical centrifugal pump are high-performance pump for fixed installations with pump immersed directly in the tank and operated by a direct-drive electric motor (max 3000 rpm) for fast fluid drainage.



Technical data

Construction Materials	PP - PVDF
Max. Capacity	20 m ³ /h
Max Head	15 m
Max Temperature	PP 60C - PCDF 90C
Max Viscosity	500 cPs
Max.diameter of passing solids	6 mm
Intake / delivery connections	2" M x 1 1/2 " M - DN50X DN40 on request
Motor	1.5 HP 380V3/50Hz / 2800 rpm

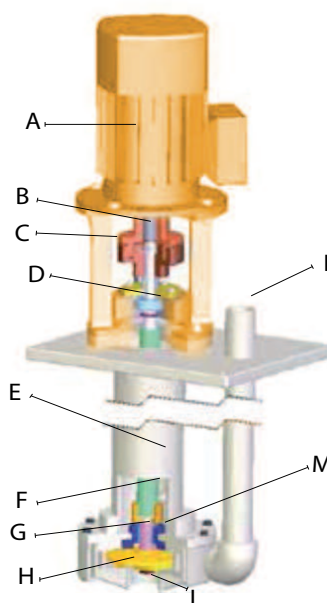
Description

Vertical centrifugal pumps with bracket series ADV are made of thermoplastic materials (PP and PVDF) and are suitable to pump high corrosive liquids with solids. Pump series ADV are available with different column lengths from 250 mm to 2000mm.

The open impeller allows continuous pumping even with very dirty liquids having apparent viscosity of up to 500 cps (at 20°C) and small suspended solids.

ADV vertical centrifugal pumps consist of a solid pump casing and a column fitted to the base plate supporting the lantern that in turn supports the electric motor. The direct-drive motor is connected by a flexible coupling on the pump shaft. The open impeller is fitted to the other end of the shaft that is supported by a radial bearing. This pump's special design allows the motor to be stripped without the need to disconnect the pump from the system.

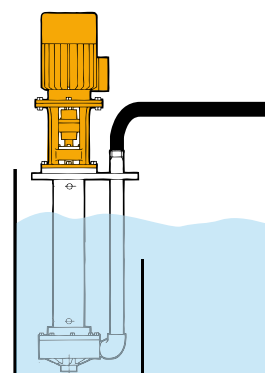
- A=ELECTRIC MOTOR
- B=DRIVE COUPLING
- C=LANTERN
- D=RADIAL BEARING
- E=OUTER COLUMN
- F=SHAFT SLEEVE
- G=CERAMIC BUSHING
- H=IMPELLER
- I=DELIVERY DUCT
- L=INTAKE DUCT
- M=BUSHING



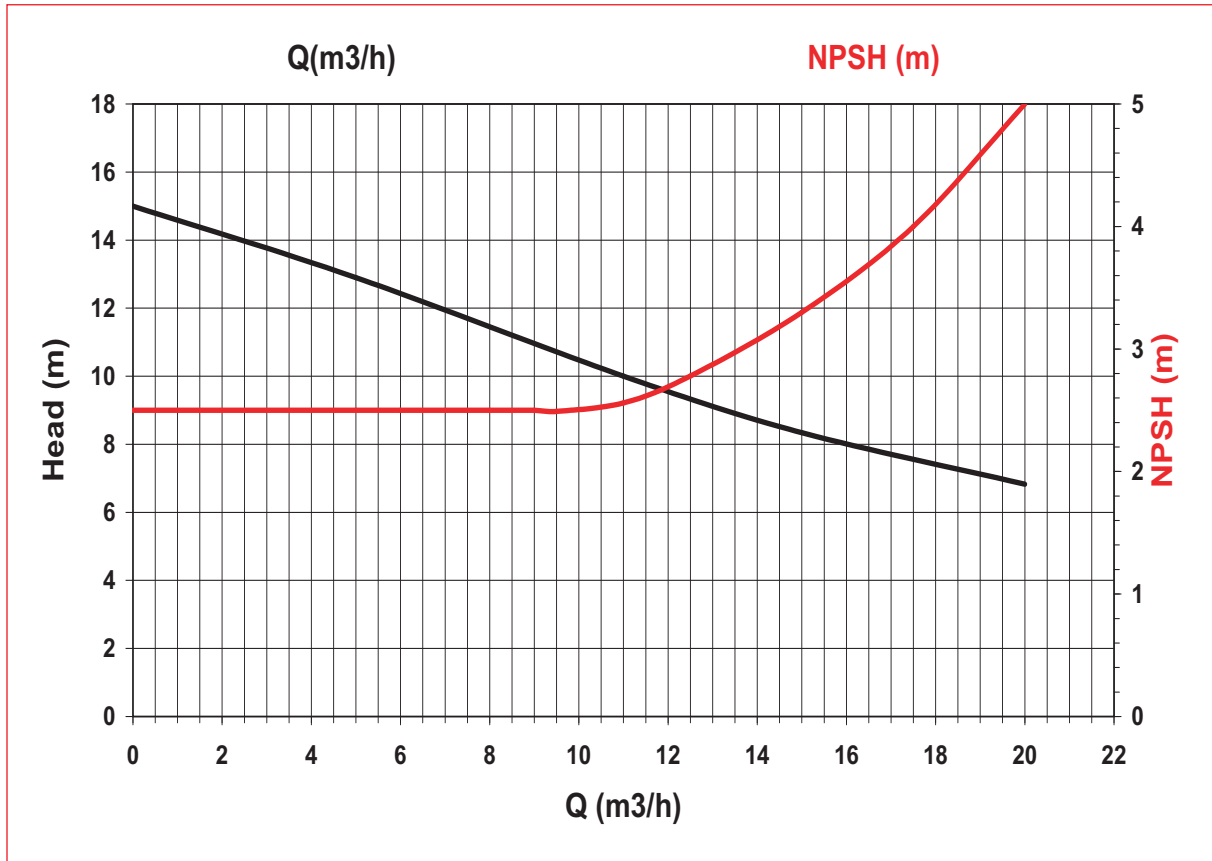
Installation

ADV Vertical centrifugal pumps should only be installed with the shaft positioned vertically and the pump immersed in the tank. Suitable devices should be fitted to avoid dry running and /or the formation of a vortex and possible air suction.

These pumps should only operate whilst filled. Running dry or with air bubbles can cause damage to the internal bushing

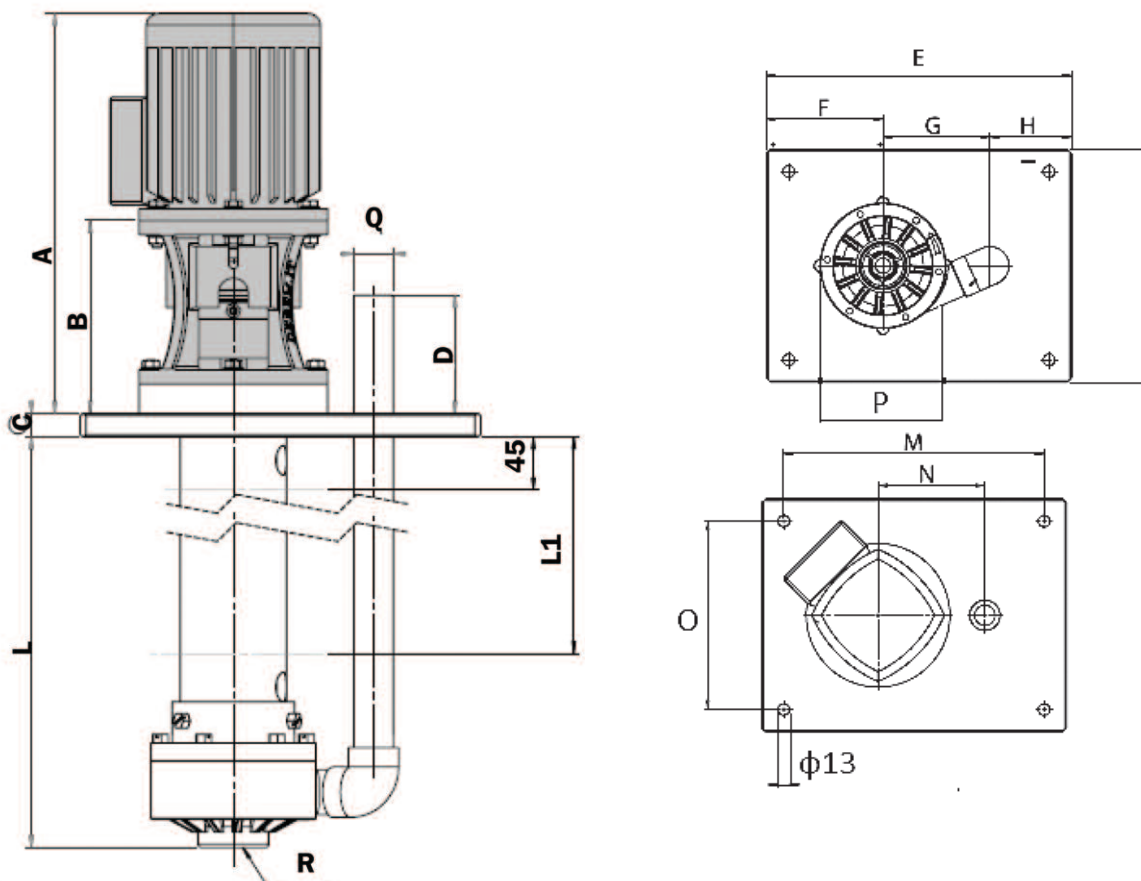


Performance



Dimensions

Column length: 500 - 1250 mm

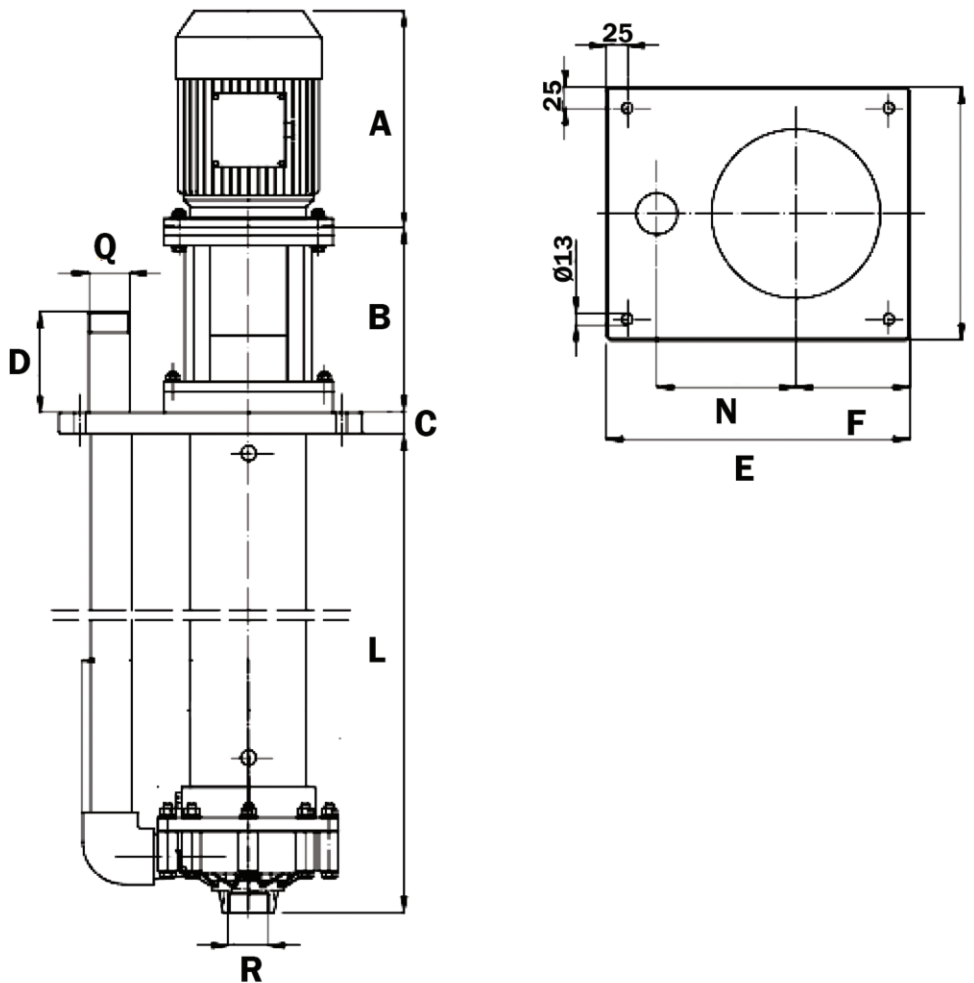


Motor Weight	13 kg
Column Weight L=500 mm	PP 15 Kg - PVDF 16 Kg
Column Weight L=800 mm	PP 19 Kg - PVDF 20 Kg
Column Weight L=1000 mm	PP 22 Kg - PVDF 23 Kg
Column Weight L=1250 mm	PP 24 Kg - PVDF 25 Kg

Pump Type	Motor Flange B5	HP	Rpm	Dimensions -mm-															
				A	B	L	C	D	E	F	G	H	I	M	N	O	P	Q	R
ADV 110	80	1.5	2800	419	210	500-1250	25	125	360	135	165	60	300	310	165	250	Φ203	1 1/2 "	2'

Dimensions

Column length: 1500 - 2000 mm



Motor Weight	13 kg
Column Weight L=1500 mm	PP 26 Kg - PVDF 27 Kg
Column Weight L=2000 mm	PP 28 Kg - PVDF 29 Kg

Pump Type	Motor Flange B5	HP	Rpm	Dimensions mm										
				A	B	L	C	D	E	F	I	N	Q	R
ADV 110	80	1.5	2800	419	210	1500-2000	25	100	360	135	300	165	1 1/2 "	2"



We Make The Difference

England Sales office:

Rockleigh House, 37 Burton Road
Ashby de la Zouch, Leicestershire
LE65 2LF - United Kingdom (UK)
Registered in ENGLAND & WALES
Registration number 09706219 - VAT No.GB220393343
Tel +44 1213 680 324, +44 1213 680472
email:sales@alphadynamicpumps.co.uk
www.alphadynamicpumps.co.uk

Hellas Production Facilities Unit 1

3 Eleftherias Str Industrial Park of Kifisia
14564 - Kifisia - Hellas
VAT No. EL 999695309
Tel: +30 215 215 9580, +30 215 215 9520
Fax +30 211 268 68 37
email: info@alphadynamic.eu
www.alphadynamic.eu

Hellas Production Facilities Unit 2

30 Seneka str Industrial Park of Kifisia
14564 - Kifisia - Greece
Tel +30 215 215 9152
email: sales@rubypump.com