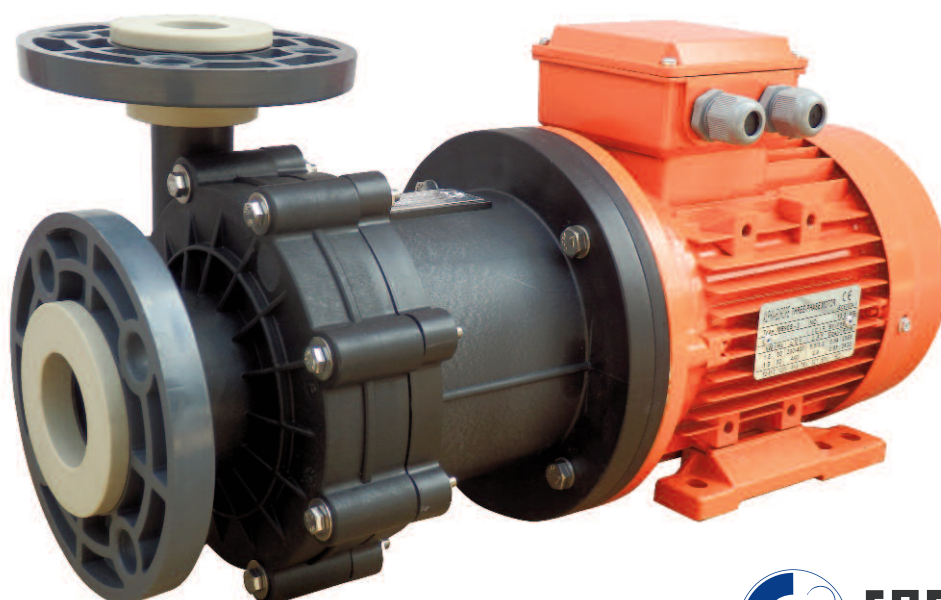


Features

Mag drive centrifugal pumps series ADM 15 PP/PVDF are made of thermoplastic materials (Polypropylene and PVDF) and are suitable for high corrosive liquids.

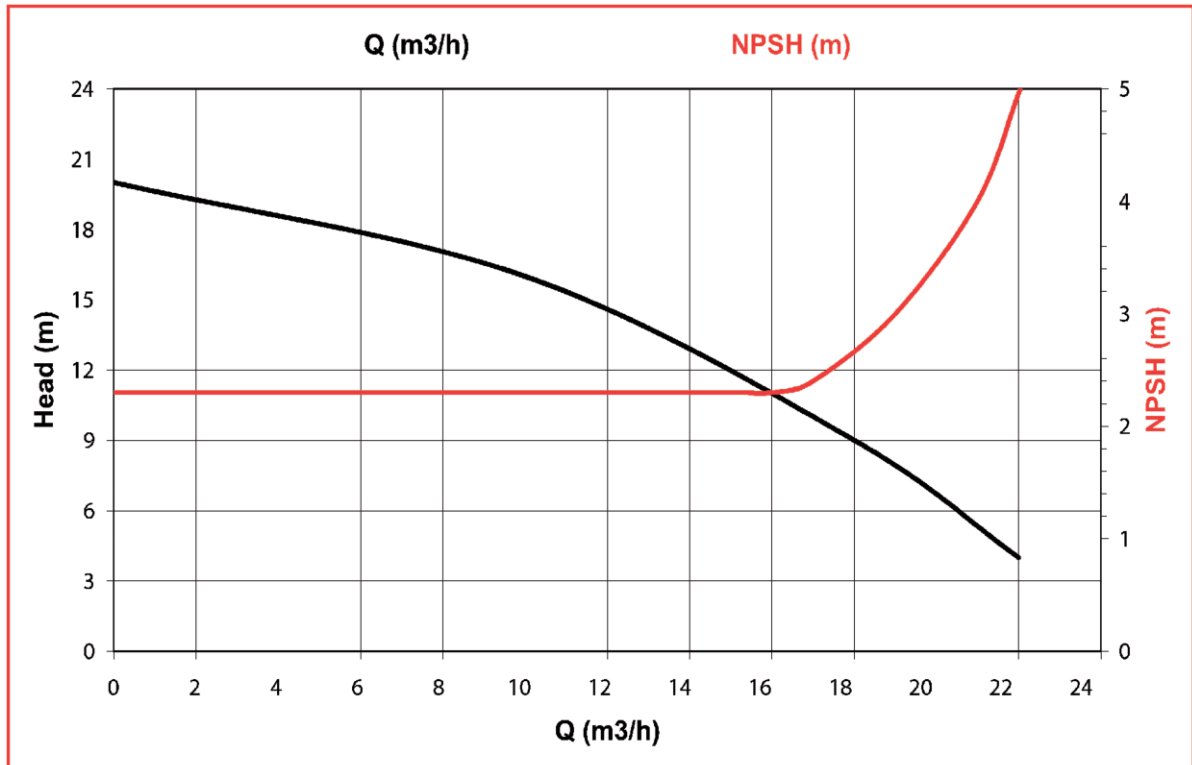
Thanks to the innovative mag drive system, pumps model ADM 15 PP/PVDF reduce the risks of losses and the maintenance costs. The transmission of the motion occurs through magnetic joints without using mechanical seals. This guarantees the maximum safety and efficiency.



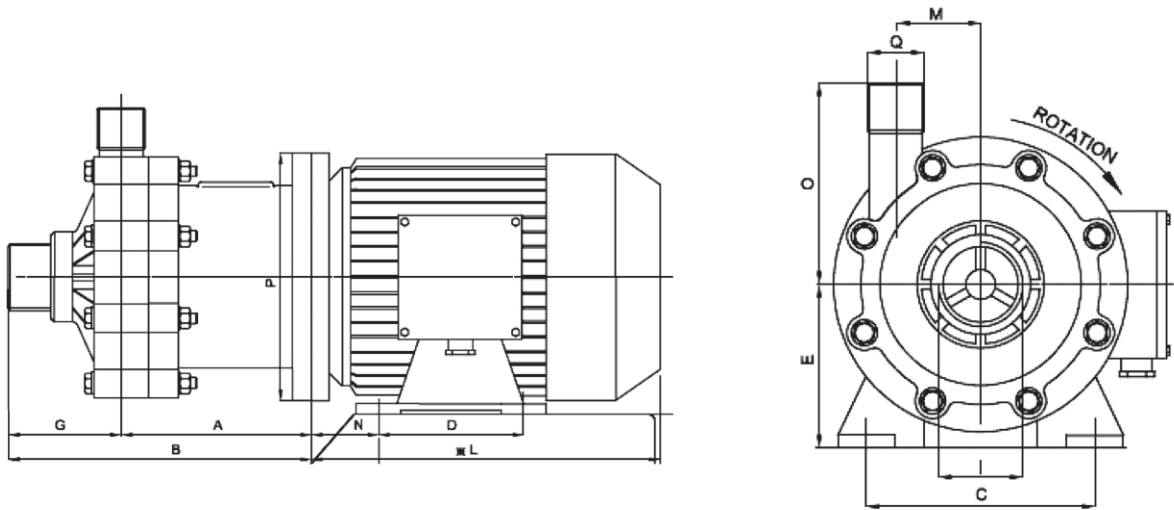
Technical data

Construction materials	PP - PVDF
Max Capacity	22 m ³ /h
Max Head	20 m
Max Temperature	PP 60°C, PVDF 90°C
Max viscosity	200 cSt
Intake / Delivery connections	2"(M) x 1 1/2"(M)
Pump weight without motor	PP 5.8 kg, PVDF 6.6 Kg
Pump weight with motor	PP 18.8 Kg, PVDF 19.6 Kg
Motor	2.0 HP 380V/3/50Hz 2800 RPM

Performances

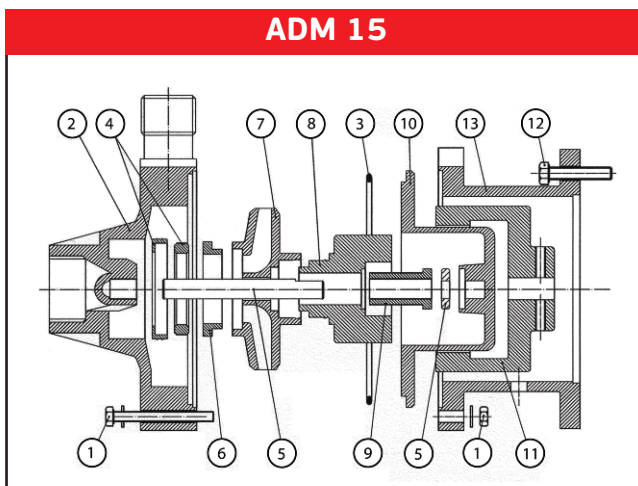


Dimensions



Pump Type	Motor Flange B3-B5	Kw	Dimensions -mm-															
			A	B	C	D	E	F	G	Hs	Hd	I	L	M	N	O	P	Q
ADM 15	90S	1.5	160	240	140	100	90	28	52	42	13	2" MALE	256	66	56	135	200	1 1/2" MALE

ADM series section & spare part list



POS	PART. DESCR.	MATERIALS
1	SET SCREWS	AISI 304
2	PUMP CASING	PP - PVDF
3	O-RING	EPDM/VITON
4	CASING THRUST BUSH	Al ₂ O ₃ EPDM/VITON
5	SHAFT + RING	Al ₂ O ₃
6	IMPELLER	PTFEC
7	IMPELLER	C40 - NeFeb
8	INTERNAL MAGNET	PP - PVDF - NeFeb
9	BEARING	PTFEC
10	REAR CASING	PP - PVDF
11	EXT. MAGNET	FE NeFeb
12	SCREWS	AISI 304
13	BRACKET	PP



We Make The Difference

England Sales office:

Rockleigh House, 37 Burton Road
Ashby de la Zouch, Leicestershire
LE65 2LF - United Kingdom (UK)
Registered in ENGLAND & WALES
Registration number 09706219 - VAT No.GB220393343
Tel +44 1213 680 324, +44 1213 680472
email:sales@alphadynamicpumps.co.uk
www.alphadynamicpumps.co.uk

Hellas Production Facilities Unit 1

3 Eleftherias Str Industrial Park of Kifisia
14564 - Kifisia - Hellas
VAT No. EL 999695309
Tel: +30 215 215 9580, +30 215 215 9520
Fax +30 211 268 68 37
email: info@alphadynamic.eu
www.alphadynamic.eu

Hellas Production Facilities Unit 2

30 Seneka str Industrial Park of Kifisia
14564 - Kifisia - Greece
Tel +30 215 215 9152
email: sales@rubypump.com